



Echelon Series



Installation Guide

2275DWRWS Stainless Wine Captain® Drawer and 2275DWRWOL Wine Captain® Drawer Overlay

www.U-LineService.com

Phone (414) 354-0300 • FAX (414) 354-7905
Service & Parts Tech Lines Phone (800) 779-2547 • FAX (414) 354-5696
OnlineService@U-Line.com

©2007 U-Line Corporation
02/2007

Contents

Exterior Cleaning 4
 Cut-Out Dimensions 4
 Product Dimensions 5
 Clearances Information 5
 Other Site Requirements 6
 Wine Rack Removal/Installation 7
 Wood Trim Finishing 7
 Checking Drawer Alignment 9
 Adjusting Drawer Alignment 9
 Wood Overlay 11
 Electrical Specifications 12
 Leveling Information 13
 Installation Tip 13
 Installation of the Drawer Wine Captain® 13
 Anti-Tip Kit Installation 13
 Installation Troubleshooting 14
 Initial Start-Up 15
 Start-Up Troubleshooting 15
 Service Information 16

1 Follow Safety Precautions

IMPORTANT

PLEASE READ all instructions completely before attempting to install or operate the unit.

- This unit requires connection to a grounded (three-prong), polarized receptacle that has been placed by a qualified electrician in accordance with applicable electrical codes.

Safety Alert Definitions

Safety items throughout this guide are labeled with a Danger, Warning or Caution based on the risk type:

⚠ DANGER

Danger means that failure to follow this safety statement will result in severe personal injury or death.

⚠ WARNING

Warning means that failure to follow this safety statement could result in serious personal injury, or death.

⚠ CAUTION

Caution means that failure to follow this safety statement may result in minor or moderate personal injury, property or equipment damage.

General Precautions

Use this appliance for its intended purpose only and follow these general precautions along with those listed throughout this guide:

WARNING

SHOCK HAZARD — Electrical Grounding Required.

- **Keep the unit unplugged throughout installation except during testing.**
- **Never remove the round grounding prong from the plug and never use a two-prong grounding adapter.**
- **Never use an extension cord to connect power to the unit.**
- **Always keep your working area dry.**

WARNING

The Anti-Tip Kit must be installed on this unit before it is used. Never use the drawers as steps or as a shelf to support more than the drawers' contents. Serious personal injury could occur.

CAUTION

- Use care when moving and handling the unit. Use gloves to prevent personal injury from sharp edges.
- Do not lift the unit by the drawer handle.
- Do not install the unit behind closed doors or in any way that would obstruct airflow to the front grille, which may cause the unit to malfunction.

2 Inspect and Plan

You have received a carton containing your 2275DWRW Drawer Model Wine Captain® with a package inside containing a Use and Care Guide, a Product Registration Card and Anti-Tip Kit. Complete and mail the Product Registration Card or register online at www.U-LineService.com. Once your unit is installed, keep the Use and Care Guide and this Installation Guide in a safe place for future reference.

Your unit is either an Overlay or Stainless Steel. Overlay units have drawers with black glass fronts that are designed to accept a 3/4" wood overlay frame, and a black vinyl-clad cabinet.

Stainless Steel units have drawers with stainless steel framed fronts, sculpted stainless steel handles and a black vinyl-clad cabinet.

All units come with maple trim wine racks and caddy that can be finished or stained. Please carefully follow the directions that apply to your unit and your intended design.

Tools/Materials Required

- Screwdrivers - slotted and Phillips head
- Sandpaper; low odor, water clean up, quick drying finish; tack cloth and, if desired, water-based wood stain and synthetic foam brush
- 3/4-inch overlay frame material, cutting tools, drill and bits (2275DWRWOL units)

Inspection

Unwrap and inspect the unit on a flat, level surface capable of supporting its entire weight.

Removing Protective Coating

Stainless Steel Models:

When inspecting/installing a Stainless Steel unit, the protective coating covering the drawer fronts must be removed. Start at a corner of the drawers and pull back the protective coating to remove it from the drawer fronts.

After all the protective coating has been removed from the drawers, clean all Stainless Steel surfaces with Claire Stainless Steel Polish and Cleaner or comparable product or a mild detergent and warm water solution and soft cloth. Do NOT use abrasive cleaning agents.

Note: If cleaning with mild detergent and warm water solution and soft cloth, the unit MUST be treated with Claire Stainless Steel Polish and Cleaner or comparable product to prevent discoloration.

Clean all glass surfaces with a non-chlorine glass cleaner.

Exterior Cleaning

(As Required)

Overlay Models:

- Clean glass drawer fronts with glass cleaner. The drawers, grille and cabinet may be cleaned with a mild detergent and warm water solution. Do not use solvent-based or abrasive cleaners. Use a soft sponge and rinse with clean water. Wipe with a soft, clean towel to prevent water spotting.

Stainless Steel Models:

- Stainless steel models can discolor when exposed to chlorine gas, pool chemicals, salt water or cleaners with bleach.
- Clean glass drawer fronts with a non-chlorine glass cleaner. Keep your stainless steel surfaces looking new by cleaning with a good quality all-in-one stainless steel cleaner/polish on a monthly basis. For best results use Claire Stainless Steel Polish and Cleaner, which can be purchased from U-Line Corporation. (The part number is 173348.) Comparable products are acceptable. Frequent cleaning will remove surface contamination that could lead to rust. Some installations may require cleaning on a weekly basis.
- **Do not clean with steel wool pads.**
- **Do not use stainless steel cleaners/polishes on the glass surfaces.**
- **Do not use cleaners that are not specifically intended for stainless steel on stainless steel surfaces (this includes glass, tile and counter cleaners).**
- If any surface discolors or rusting appears, clean it quickly with Bon-Ami or Barkeepers Friend Cleanser and a non-abrasive cloth. Always clean in the direction of the grain. Always finish this process with Claire Stainless Steel Polish and Cleaner or comparable product to prevent further problems.
- **Use of abrasive pads such as Scotchbrite will cause the graining in the stainless to become blurred.**
- Rust that is allowed to linger can penetrate into the surface of the stainless steel and complete removal of the rust may not be possible.

3 Prepare Site

Your U-Line product has been designed for built-in installation. Your unit does not require additional air space for top, sides or rear. However, the front grille must NOT be obstructed and clearance is required for electrical connection in the rear.

Note: Unit can NOT be installed behind a closed cabinet door.

Cut-Out Dimensions

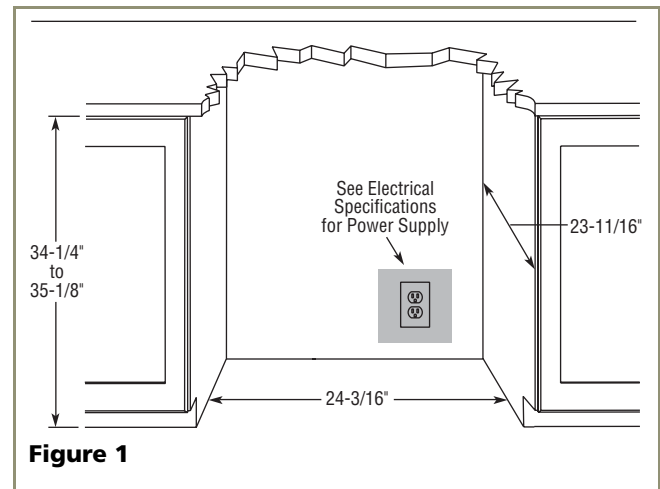
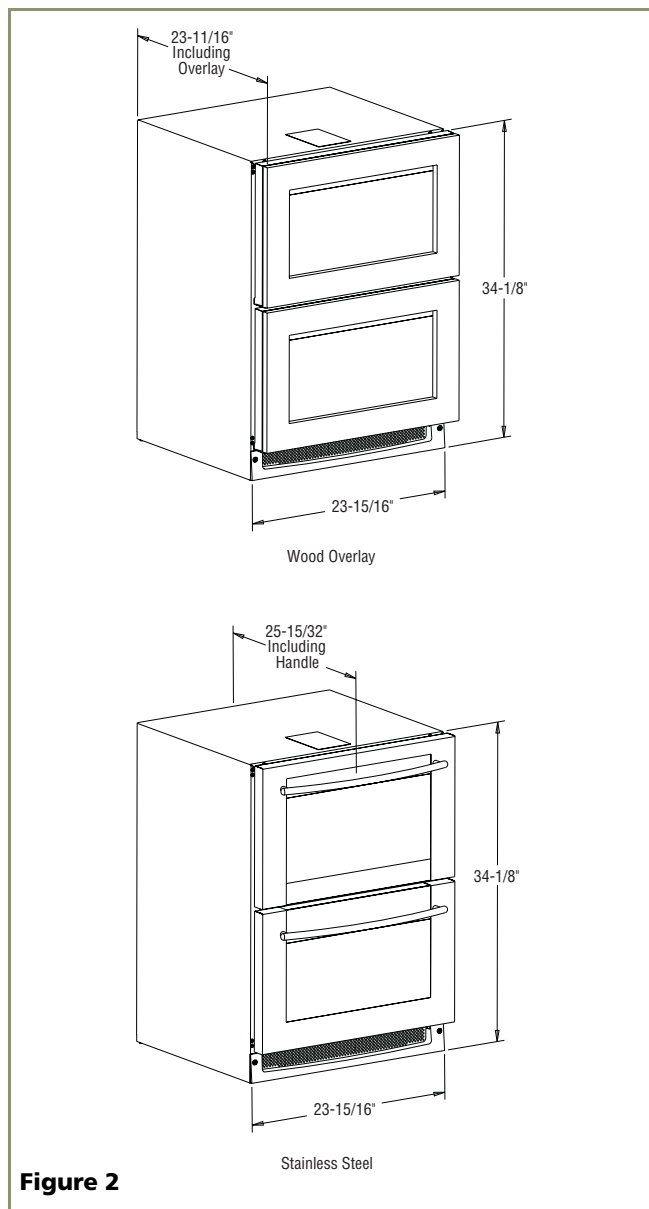


Figure 1

Follow the cut-out drawing in **Figure 1**. The 24-3/16" width allows 1/4" for ease in installation and removal of the unit. 24" is the counter depth in most installations. The unit is 23-11/16" deep including the drawer and not the full handle (see **Figure 2**).

Product Dimensions



Please note that the unit has adjustable feet that can add one additional inch to height during leveling or to match adjacent cabinets (see **Figure 20** on **Page 13**).

Clearances Information

The unit must be installed in a wall or under a countertop to allow for the installation of the Anti-Tip Kit (see **Page 13**).

⚠ WARNING

The Anti-Tip Kit must be installed on this unit before it is used. Never use the drawers as steps or as a shelf to support more than the drawers' contents. Serious personal injury could occur.

The unit is designed so it can be installed next to a wall on either side (see **Figure 3**).

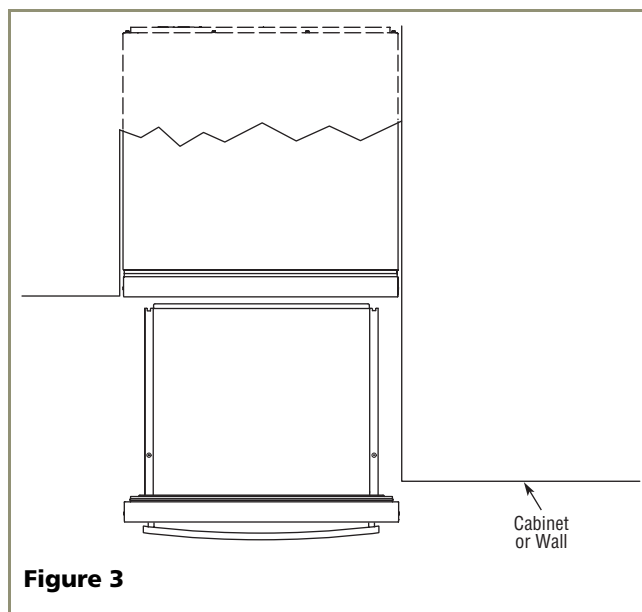


Figure 3

The drawer unit can be installed with an appliance or fixture located in front of it, as long as there is adequate clearance for the drawer to be opened and removed when servicing (see **Figure 4**).

Note: U-Line recommends you consider additional clearance in front of the open drawer for convenience.

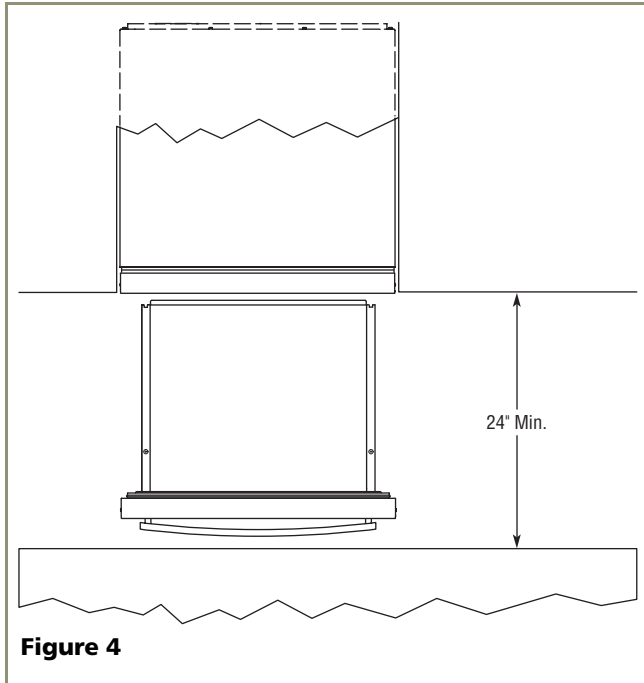


Figure 4

Other Site Requirements

Power Supply

The unit requires a grounded and polarized 115 VAC, 60 Hz, 15A circuit (normal household current). See *Electrical Specifications* on **Page 12**.

Environmental Requirements

Many U-Line models are designed to operate in harsh outdoor/marine environments. Special considerations include the following:

- The units are designed to operate between 50°F (10°C) and 110°F (40°C). High ambient temperatures (110°F [40°C] or higher) may reduce the unit's ability to reach low temperatures.
- For best performance, keep the unit out of direct sunlight and away from heat generating equipment.
- In climates where high humidity and dew points are present, condensation may appear on outside surfaces. This is considered normal. The condensation will disappear when the humidity drops.
- U-Line does not recommend installation of glass front models (Wine Captain® wine storage models and Beverage Centers) as well as the Combo Drawer model (Refrigerator/Freezer/Ice Maker) outdoors, or in tropical climates where high humidity and dew point are present on a regular basis, unless air-conditioning (typical 72°F, 75%RH) will be used.

4 Prepare Racks and Caddy

The U-Line Wine Captain® is equipped with wood-trimmed wine racks that are coated at the factory with a clear vinyl sealer, which will adequately protect the wood in normal usage. A final finish coat was not applied so that the wood trim could be stained to match décor. The trim on the racks may be coated with a final finish or stained.

If neither of these treatments are to be included in this installation, go on to **5 Adjust Drawers**.

⚠ CAUTION

To prevent permanent damage to the inner liner of the Wine Captain®, the wine rack wood trim **MUST** be removed from the unit for staining and/or finishing. Allow stain/finish to dry thoroughly (at least 24 hours per coat) in accordance with the stain/finish manufacturer's instructions prior to re-installing the wood trim inside the cabinet of the Wine Captain®. Failure to do so may cause the inner liner of the unit to have a permanent odor, which is not covered by the warranty.

Wine Rack Removal/Installation

To remove a rack from the cabinet:

1. Grasp the end of the rack, and gently slide it out until it stops.
2. Remove any bottles stored on the rack.

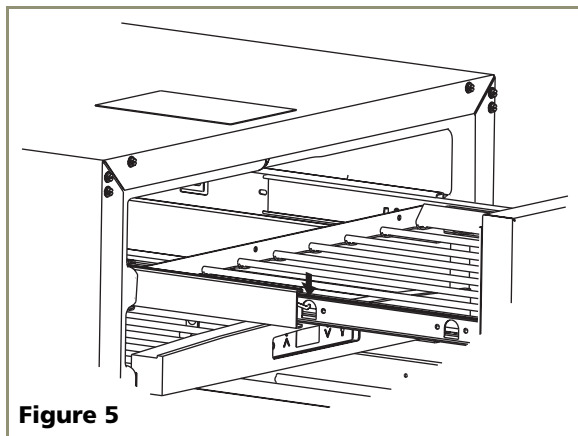


Figure 5

3. Press the left rack release lever (see **Figure 5**) down, and at the same time, lift the corresponding right rack release lever up, and pull the rack out until it is free of the tracks and the cabinet.

IMPORTANT

Do not remove the track side rails from the cabinet.

To insert a rack in the cabinet:

1. Align the left and right rack channels with the tracks in the cabinet, and ensuring an even track engagement on both sides, gently push the rack into the cabinet until it stops.
2. Before reloading the rack, ensure proper operation of the travel stops in the left and right track rails by pulling the rack out gently until it completely stops.

Wood Trim Finishing

The U-Line Wine Captain® is equipped with wood-trimmed wine racks that are coated at the factory with a clear vinyl sealer, which will adequately protect the wood in normal usage. A final finish coat was not applied so that the wood trim could be stained to match décor. The trim on the racks may be coated with a final finish or stained.

⚠ WARNING

To prevent permanent damage to the inner liner of your unit, the wood trim MUST be removed from the unit for staining and/or finishing. Allow stain/finish to dry thoroughly (at least 24 hours per coat) in accordance with the product manufacturer's instructions prior to reinstallation. Failure to do so may cause the inner liner of the unit to have a permanent odor, which is not covered by the warranty.

If staining the trim is desired, it must be done before the application of any type of final finish. Review the following staining/final finish and final finish-only guidelines when staining/ and or sealing the wood to ensure proper adhesion and durability of the finish.

Note: Glass in door is tinted. Stain may look darker when door is closed.

Staining and final finish application:

1. Remove all screws securing wood trim to interior components, and remove the trim from the cabinet interior.

To remove the top drawer display wood trim:

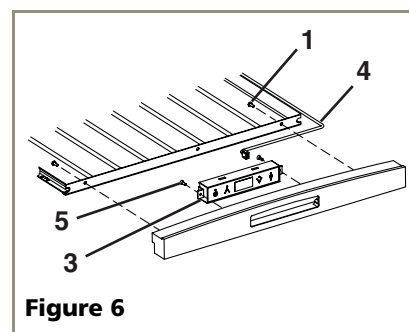


Figure 6

2. Remove the two screws (**Figure 6, 1**), securing trim to wine rack assembly (**Figure 6, 2**).

Note: Your model will contain an electronic display panel (**Figure 6, 3**) in the middle level trim piece. After removing the trim screws, and gently pulling the trim from its location, a wiring harness connector (**Figure 6, 4**) will become visible. Unplug the connector.

3. Remove the two screws, securing the electronic control to the wood trim. Carefully rotate the wood trim so the electronic control slides out of the wood, and place the electronic control aside in a safe location.

Note: The electronic control and glass front are NOT connected. Be careful when removing the control not to drop the glass.

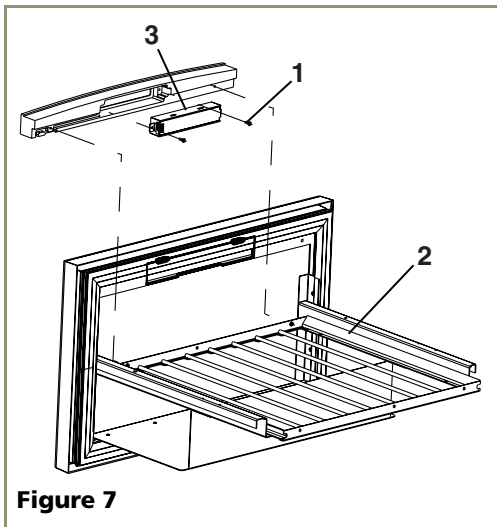


Figure 7

4. Remove the two screws (**Figure 7, 1**) securing trim to wine rack assembly (**Figure 7, 2**).

Note: Your model will contain an electronic display panel (**Figure 7, 3**) in the wine rack attached to the bottom drawer. After removing the trim screws, and gently lifting the trim from its location, a wiring harness connector will become visible. Unplug the connector. DO NOT remove drawer from unit.

5. Remove the two screws securing the electronic control to the wood trim. Carefully rotate the wood trim so the electronic control slides out of the wood and place electronic control aside in a safe location.

Note: The electronic control and glass front are NOT connected. Be careful when removing control not to drop the glass.

6. Remove the remaining wood fronts from the additional racks by extending racks out as far as possible and then removing the three screws that attach the wood to the racks.

IMPORTANT

DO NOT apply stain/final finish to the wood trim with the electronic display attached to the wood. Damage may occur to the electronic control which is not covered by the warranty.

IMPORTANT

DO NOT use oil-based stains on wood trim. Vapors from oil-based stains will permanently penetrate the liner and will not dissipate over time.

7. Apply Minwax® Water-Based Wood Stain to wood with a synthetic bristle brush or a foam applicator. Allow stain to penetrate approximately three minutes. Before the stain is dry, take a stain dampened rag and remove any excess stain remaining. Wipe in the direction of the grain with medium pressure to achieve the desired stain color.
8. After two hours, repeat step 2. This will even out the color of the wood.
9. Allow stain to dry for a minimum of three hours before applying the final finish.
10. If desired, sand the wood with very fine sandpaper to smooth the surface after the staining process.
11. Remove all dust from the wood, and apply one coat of Minwax® Polycrylic® Protective Finish using a synthetic bristle brush to the wood. This finish should be applied in a thin coat following the direction of the grain. Apply the finish to the back and sides of the wood first, and allow it to dry for two hours. Apply the finish to the front side of the wood next, and allow it to dry for two hours. Sand with very fine 220 grit sandpaper. Apply two addition coats of the finish in the same manner, but do not sand the trim after the final third coat is applied.
12. Allow the final coat to dry for 24 hours before reinstalling the trim to the cabinet interior components.

Final finish-only application:

1. Follow steps 1 through 6, then continue with step 2 in this section.
2. Lightly scuff sand the wood trim with 280 or finer grit sandpaper.
3. Remove sanding dust with a clean, dry cloth.
4. The factory-applied seal is compatible with virtually all finishes. A low odor, water clean up, quick-drying finish such as Minwax® Polycrylic® Protective Finish is recommended (Minwax® Polycrylic® is an ultra fast-drying water-based finish). Apply a thin coat of a clear, protective finish, following the container label directions.
5. Lightly sand and reapply if desired.
6. Allow the final coat to dry for 24 hours before reinstalling the display to bottom drawer trim and remaining trim to the cabinet interior components.

5 Adjust Drawers

Checking Drawer Alignment

The unit's drawers are aligned at the factory before shipment. However, their alignment could have been disturbed during shipment.

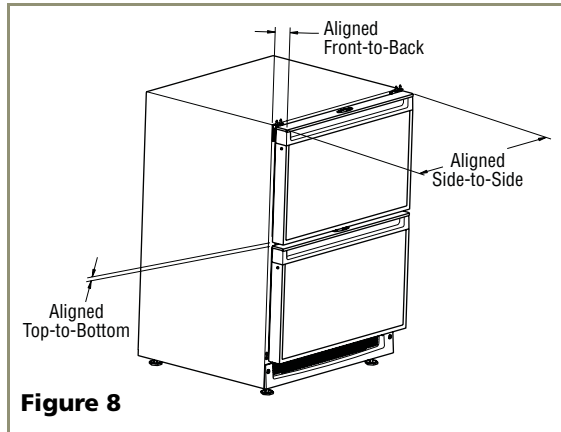


Figure 8

See **Figure 8**. Check each drawer to confirm that it is aligned:

- **Side-to-Side** — When viewed from the top, the drawer front should be square with the sides of the cabinet.
- **Front-to-Back** — When viewed from the side, the drawer front should be straight with the cabinet's sides, not cocked forward or back.
- **Top-to-Bottom** — When viewed from the front, the drawer should be level horizontally.

If either drawer is not aligned, carefully follow instructions to remove that drawer, make the necessary adjustment and re-install the drawer.

Adjusting Drawer Alignment

⚠ WARNING

SHOCK HAZARD — The unit must be unplugged from the wall outlet during drawer removal, adjustment and re-installation.

Drawer Removal

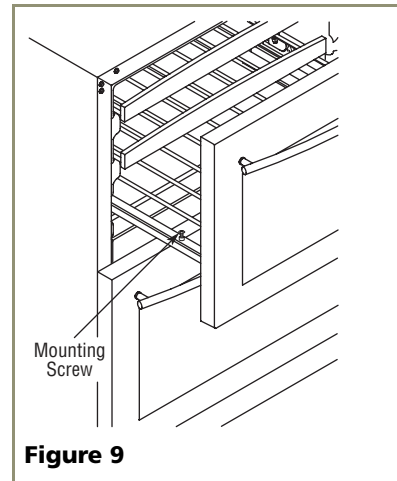


Figure 9

1. Confirm that the unit is unplugged from wall outlet.
2. Unplug the drawer's connection wiring (top drawer only).
3. Remove the mounting screws (see **Figure 9**).
4. Pull the drawer completely out of the unit.

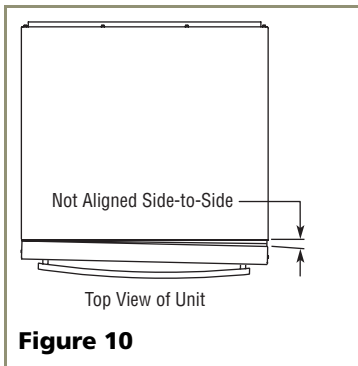
⚠ CAUTION

Use care when handling the drawer. Drawer edges, drawer rail and the unit's slide may be sharp.

IMPORTANT

Drawer adjustments are made by moving the slide that carries the drawer's rail. Minor adjustments may be made by loosening one of the slide's mounting screws, adjusting the slide and retightening the screw. Severe adjustments may be made by removing the slides' mounting screws, drilling new mounting holes and remounting the slide.

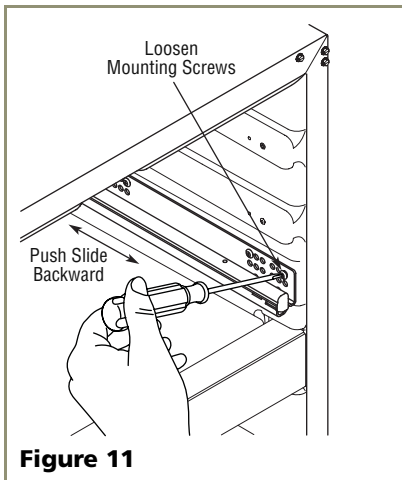
Side-to-Side Adjustment



See **Figure 10**. The drawer will need a Side-to-Side Adjustment if, when viewed from the top, the drawer front is not square with the sides of the cabinet. This is caused by one of the slides being mounted too far forward on the unit's liner.

Minor Adjustment:

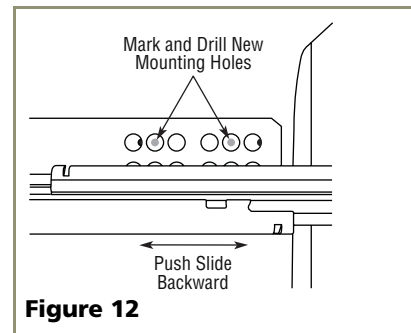
Note: The mounting holes on the slide are slightly larger than the screws' diameter.



1. Loosen the slide's mounting screws.
2. Push the slide backward.
3. Retighten the screws (see **Figure 11**).

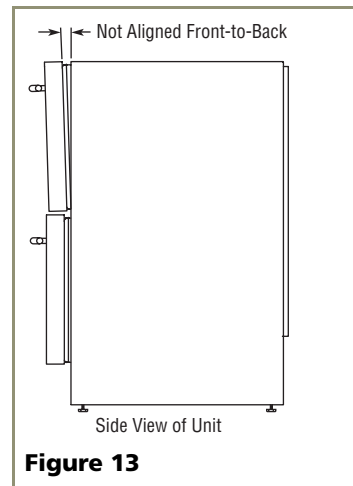
Severe Adjustment:

Note: The slides have extra mounting holes that may be used.



1. Remove the slide's mounting screws.
 2. Reposition the slide so it is the same distance from the front of the liner as the other slide. Measure to confirm.
 3. Mark new drilling holes using different sets of mounting holes on the slide (see **Figure 12**).
- Note:* Front location holes are shown. Corresponding rear holes will also need to be marked.
4. Drill all the new holes with a #30 drill bit.
 5. Remount the slide.

Front-to-Back Adjustment



See **Figure 13**. The drawer will need a Front-to-Back Adjustment if, when viewed from the side, the drawer front is cocked forward or back. This is caused by the front slide mountings not being level with the rear slide mountings.

Minor Adjustment:

Note: The mounting holes on the slide are slightly larger than the screws' diameter.

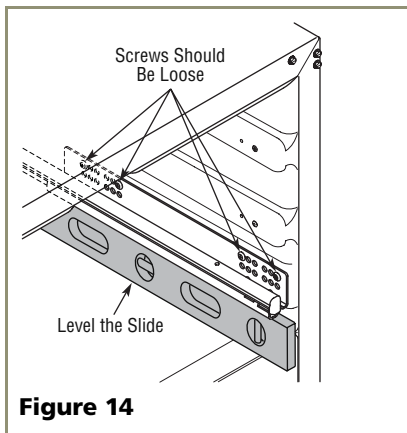


Figure 14

1. Loosen one slide's mounting screws.
2. Level the slide.
3. Retighten the screws (see **Figure 14**).
4. Repeat procedure for the other slide.

Severe Adjustment:

Note: The slides have extra mounting holes that may be used.

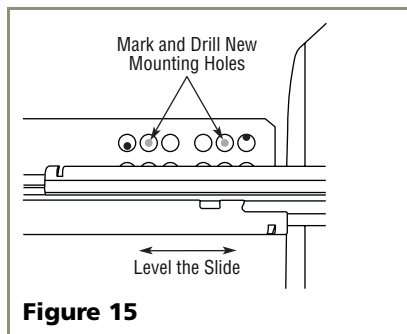


Figure 15

1. Loosen one slide's rear mounting screws.
2. Remove the slide's front mounting screws.
3. Reposition the slide so it is level.
4. Mark new front drilling holes using a different set of mounting holes on the slide (see **Figure 15**).
5. Drill the new holes with a #30 drill bit.
6. Remount the slide.
7. Repeat procedure for the other slide.

Wood Overlay

Frame Preparation

An overlay frame covers the drawer front to give a built-in appearance. Appropriate hardware and a copy of these instructions will be included in the unit.

IMPORTANT

The thickness of the overlay frame must be 3/4". The drawer frame must not weigh more than 10 lbs.

Create two frames to the dimensions shown in **Figure 16**.

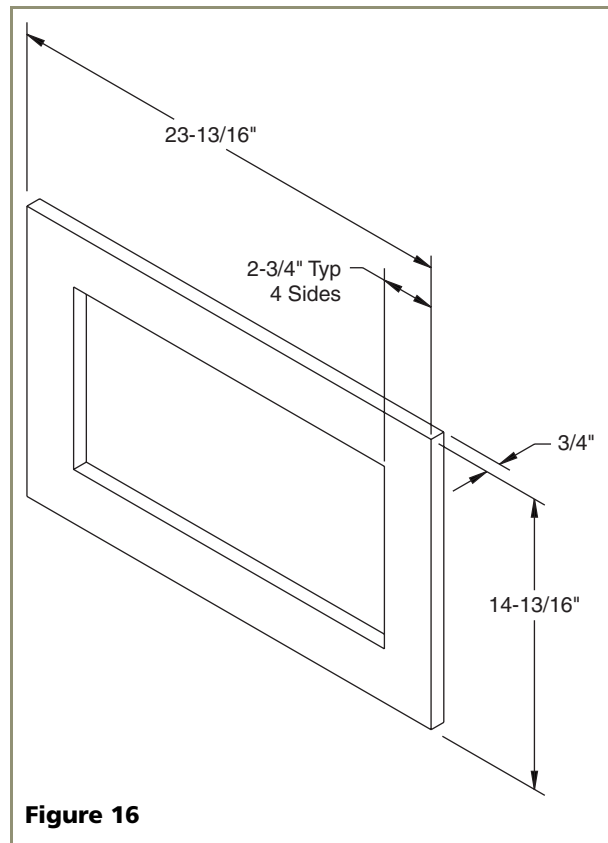


Figure 16

1. Make sure unit is unplugged from the electrical outlet.

Note: If cabinet handles are installed, make sure the mounting screw heads are below (countersunk) the back surface of the overlay.

2. Starting with the TOP drawer, open drawer fully.

You should have already prepared the overlay panel and have the cabinet handles installed.

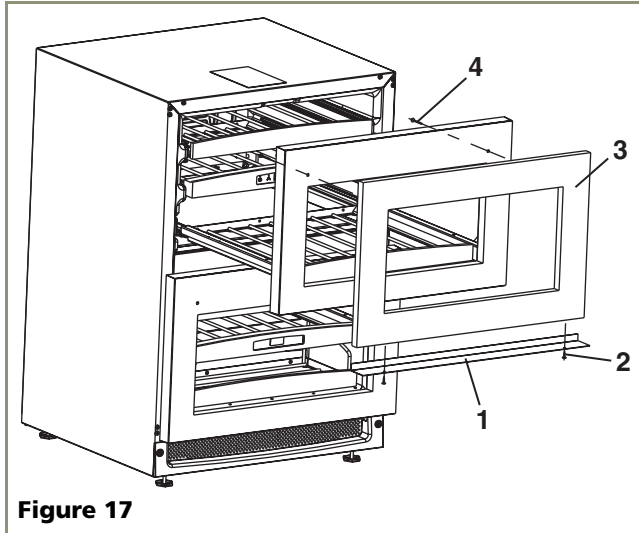


Figure 17

3. Place finished drawer overlay panel (**Figure 17, 3**) over front of drawer and using masking tape, tape to front of drawer, making sure to center overlay and making the top and bottom flush with drawer.
4. Place drawer overlay bracket (**Figure 17, 1**) on bottom of drawer making sure to catch the back of the drawer with the short lip on bracket.

Also align the wood overlay with the ends of the bracket, and tape in place.

5. Mark center of holes from mounting bracket onto the wood overlay.
6. Using an ice pick, or similar tool, mark the location of the top mounting screws on the wood overlay.
7. Remove the lower mounting bracket and wood overlay from the drawer.
8. Using a #44 (0.094) drill, pre-drill pilot holes in the locations noted from steps 5 and 6, be sure to NOT drill through the overlay.

Drill the pilot hole from step 5, 9/16" deep and the ones from step 6, 1/4" deep.

9. Attach the bottom bracket to the wood using 2 of the 5/8" screws (**Figure 17, 2**) included with the unit.
10. Attach the wood overlay assembly to the drawer starting at the bottom of the drawer, then re-centering it on the drawer front.
11. Secure the top of the wood panel by placing 2 of the 1-1/2" wood screws (**Figure 17, 4**) through the top holes in the drawer, and tighten securely.
12. Repeat steps for bottom drawer.

6 Prepare Power Supply

Electrical Specifications

CAUTION

Electrical installation must observe all state and local codes. This unit requires connection to a grounded (three-prong), polarized receptacle that has been placed by a qualified electrician.

The unit requires a grounded and polarized 115 VAC, 60 Hz, 15A power supply (normal household current). An individual, properly grounded branch circuit or circuit breaker is recommended. GFCI (ground fault circuit interrupter) is usually not required for fixed location appliances and is not recommended for your unit because a GFCI could be prone to nuisance tripping. However, be sure to consult your local codes.

See **Figure 18** for recommended receptacle location.

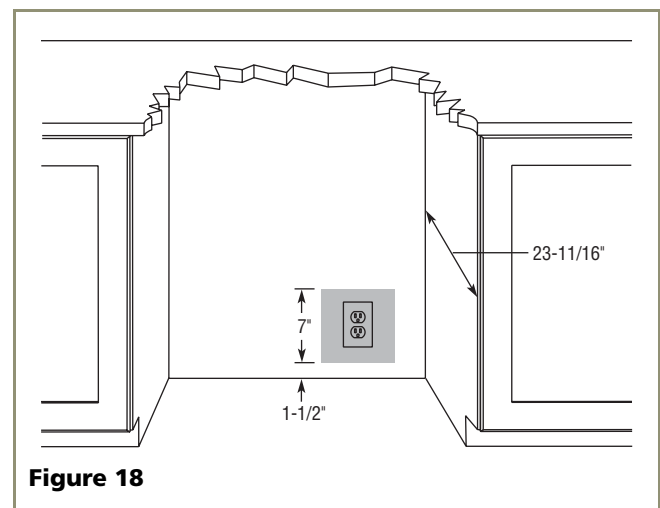


Figure 18

WARNING

SHOCK HAZARD — Electrical Grounding Required.

- **Never remove the round grounding prong from the plug and never use a two-prong grounding adapter.**
- **Never use an extension cord to connect power to the unit.**

Go on to **7 Level the Unit.**

7 Level the Unit

Leveling Information

Note: It is recommended that the unit is level.

1. Use a level to check the levelness of the unit from front to back and from side to side. Level should be placed along top edge and side edge as shown (see **Figure 19**).

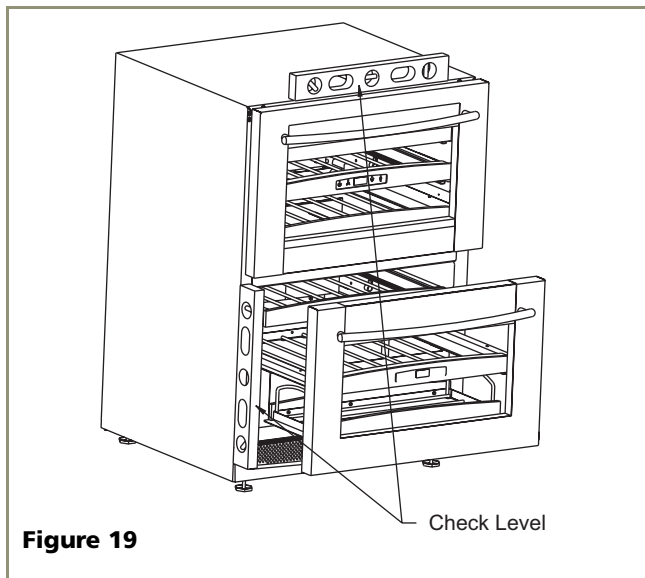


Figure 19

2. If the unit is not level, adjust the feet on the corners of the unit as necessary (see **Figure 20**).

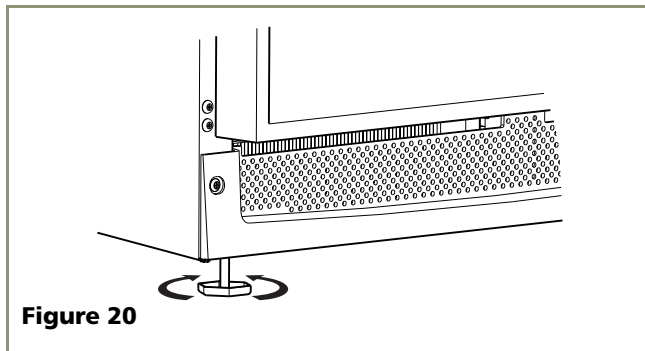


Figure 20

3. Check the levelness after each adjustment and repeat the previous steps until the unit is level. Go on to **8 Install the Unit**.

Installation Tip

If the room floor is higher than the floor in the cut-out opening, adjust the rear feet to achieve a total unit rear height of 1/8" less than the opening's rear height. Shorten the unit height in the front by adjusting the front feet. This allows the unit to be gently tipped into the opening. Readjust the front feet to level the unit after it is correctly positioned in the opening.

8 Install the Unit

Installation of the Drawer Wine Captain®

1. Plug in the power cord.
2. Gently push the unit into position. Be careful not to entangle the electrical cord.
3. Re-check the leveling, from front to back and side to side. Make any necessary adjustments. The unit's top surface should be approximately 1/8" below the countertop.

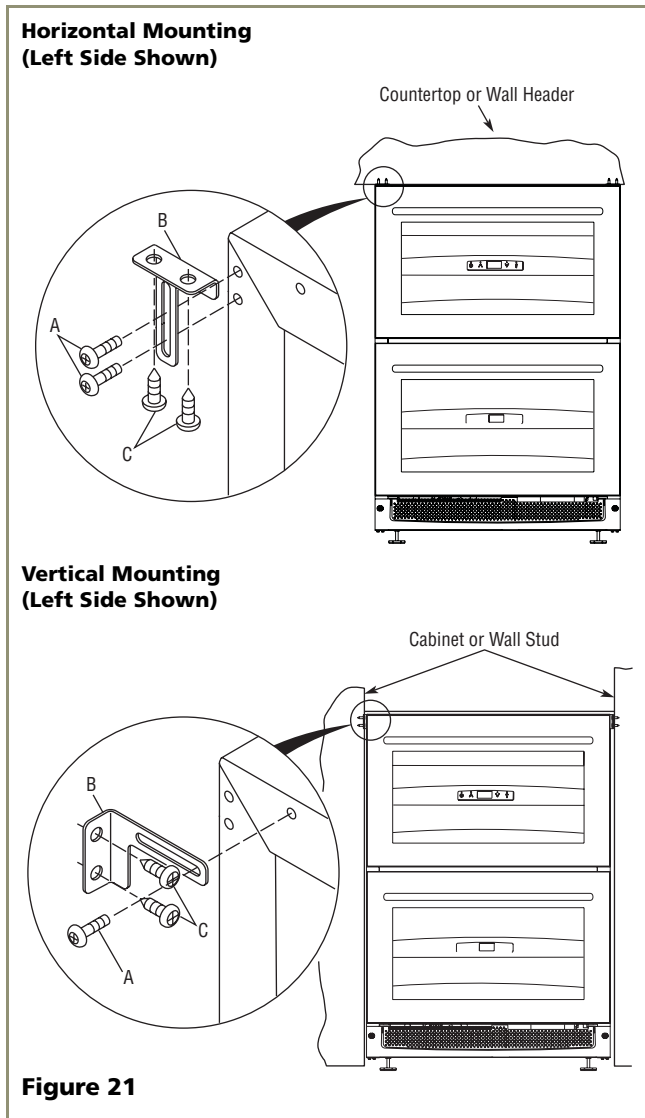
Anti-Tip Kit Installation

⚠ WARNING

- The Anti-Tip Kit must be installed on this unit before it is used.
- Additional blocking or special fasteners may be required for installation. Installer is responsible for secure attachment to prevent the unit from tipping.
- Make sure the mounting screws attaching the unit to the counter, cabinet or wall are deep enough into the mounting surface to support the weight of the drawers and the items that will be inside the drawers.
- Never use the drawers as steps or as a shelf to support more than the drawers' content. Serious personal injury could occur.

After leveling, the unit must be secured to a counter, a cabinet or a wall to prevent tipping.

1. Open the upper drawer to expose the six screws (A) installed at the top two corners (three at each corner). Remove the appropriate screws for horizontal or vertical mounting (see **Figure 21**). Do not discard.



2. Insert the screws through the anti-tip bracket (B) and attach the bracket to the unit. Tighten screws securely.
3. Repeat for the other side.

Note: The bracket should be flush with the surface it is being attached to. If it is not, loosen the screws and slide the bracket against the mounting surface. Tighten screws securely.

4. Using two of the screws (C) supplied, fasten the screws through the bracket and into the counter, cabinet or wall.

IMPORTANT

Certain cabinets or countertops may require special fasteners or additional wood blocking to anchor properly.

CAUTION

Make sure the screws are back far enough so they do not damage any exposed front surface of the cabinet.

Installation Troubleshooting

Q: Problem

The drawer remains open unless it is pushed closed.

A: Solution

The drawer should be self-closing when it is open approximately 8". If it is not, re-check leveling from front to back of the unit and readjust if necessary.

9 Start-Up for the First Time

Initial Start-Up

Once installation and leveling is complete, the unit is ready for initial start-up and operation.

Other Settings

Other settings for the unit are factory preset. No adjustments should be necessary at this time. See the Use and Care Guide for information on:

- Adjusting the interior lighting
- Removing the lower drawer's wine caddy
- Using or disabling the cascade feature

Start-Up Troubleshooting

Q: Problem

Unit does not appear to turn on when plugged in.

A: Solution

Make sure outlet has power (circuit breaker has not tripped).

IMPORTANT

See the Use and Care Guide's *Troubleshooting Guide* for more solutions.

Who to Call

Service Information

If the need for service arises, call the U-Line Customer Care Center directly @ **800-779-2547**. To ensure accurate assistance, please have your Model Number and Serial Number and an explanation of the problem. The Model and Serial Number plate is located inside unit at upper right hand corner.

If you need to locate a service company, you can go online at **www.U-LineService.com** and search for a service company by zip code.

For more than four decades, U-Line has distinguished itself as the leader in built-in undercounter ice making, refrigeration and wine storage appliances.

U-Line Corporation, located in Milwaukee, WI, is a family operated manufacturer of built-in undercounter icemakers, Combo® icemaker/refrigerators, Wine Captain® wine storage units, refrigerators, refrigerated drawers and refrigerator/freezers.